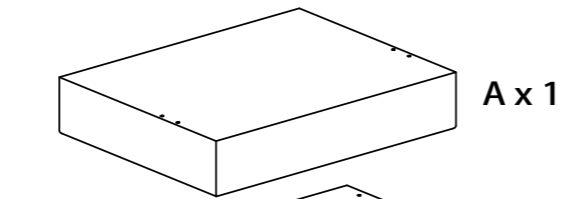


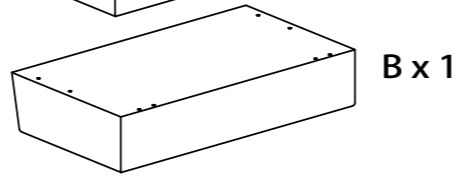


069951

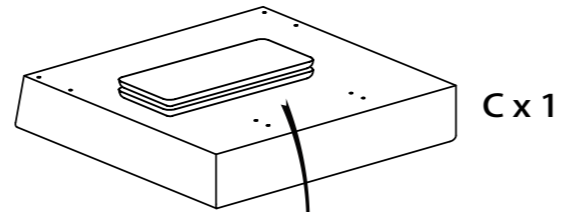
- ① x 4
- ② x 4
- ③ x 16
- ④ x 24
- ⑤ x 4
- ⑥ x 1
- ⑦ x 4



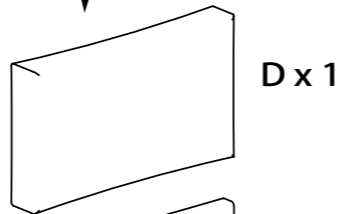
A x 1



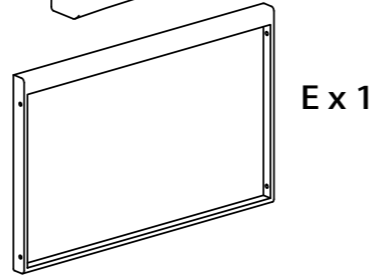
B x 1



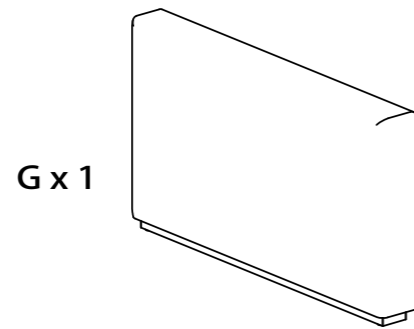
C x 1



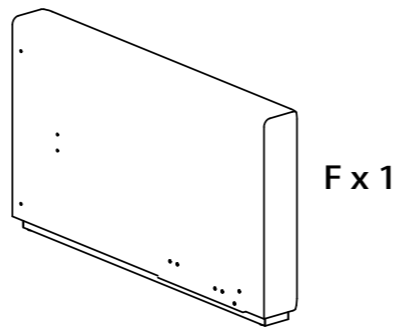
D x 1



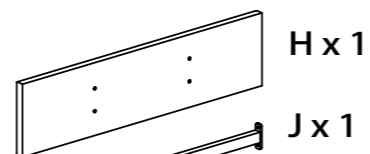
E x 1



G x 1



F x 1



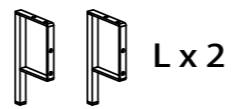
H x 1



J x 1



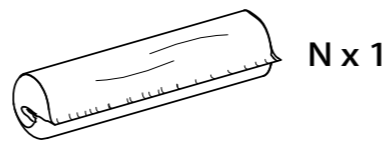
K x 1



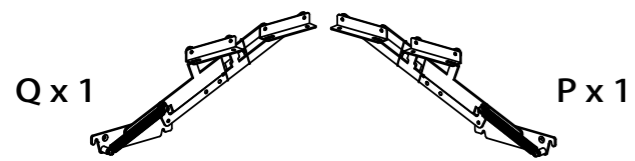
L x 2



M x 2

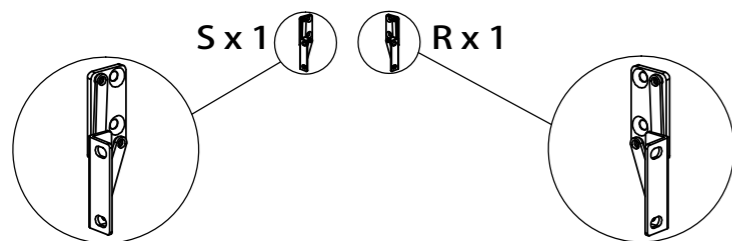


N x 1



Q x 1

P x 1

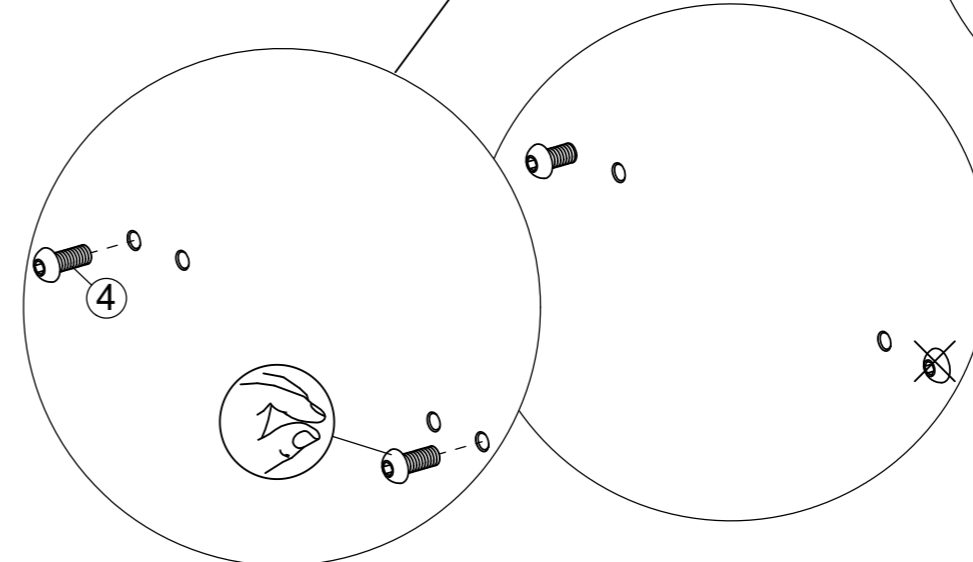
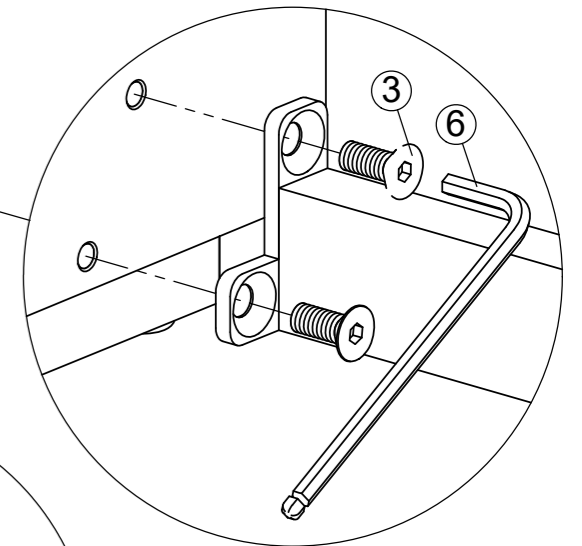
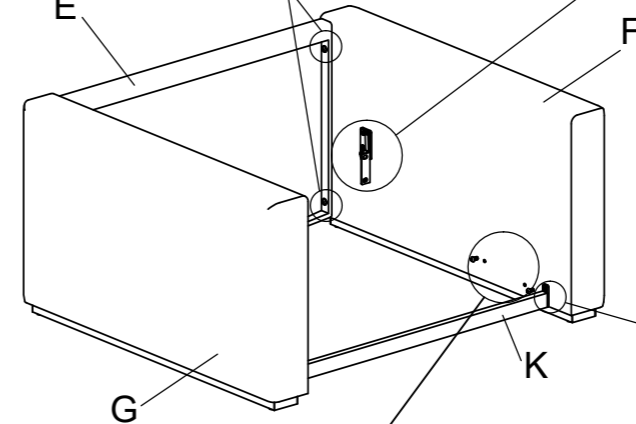
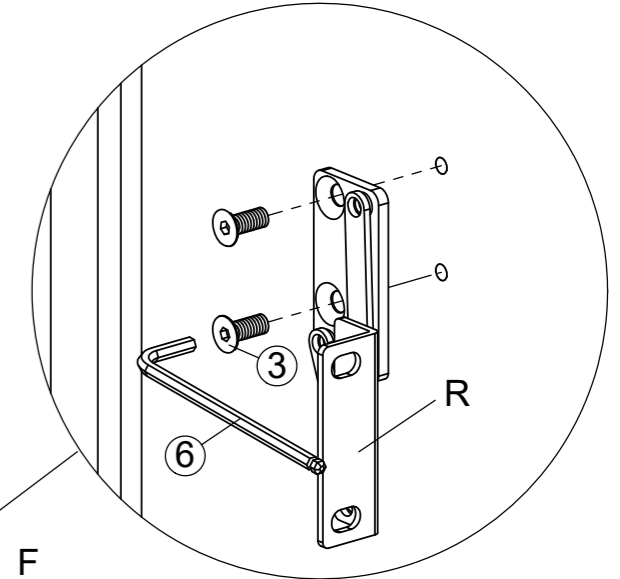
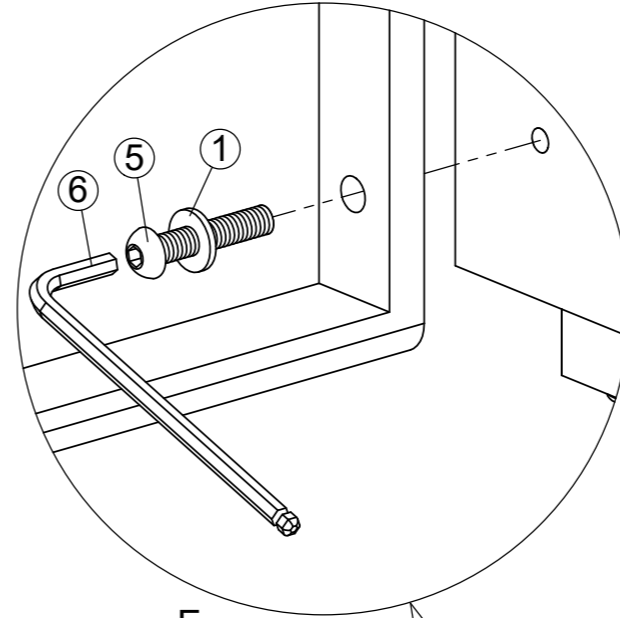


S x 1

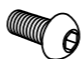
R x 1

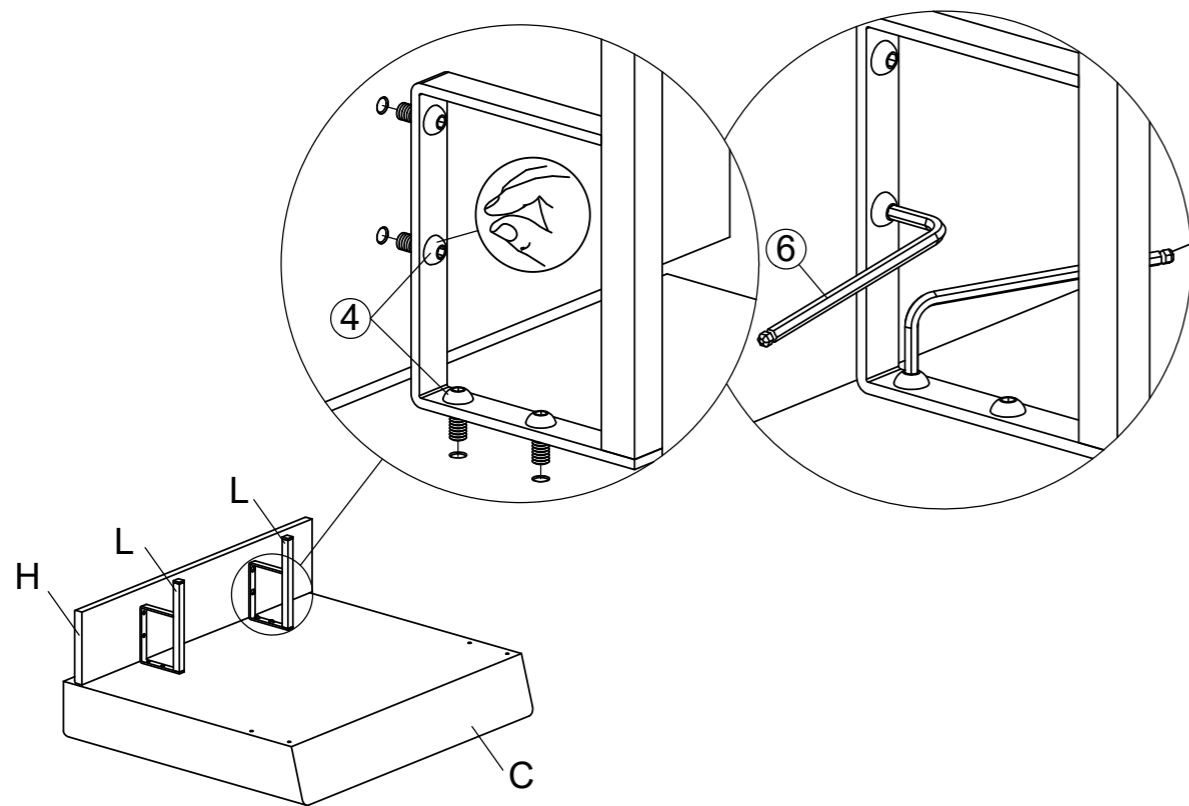
1

- ① x 4
- ③ x 8
- ④ x 4
- ⑤ x 4





2


④ x 8 

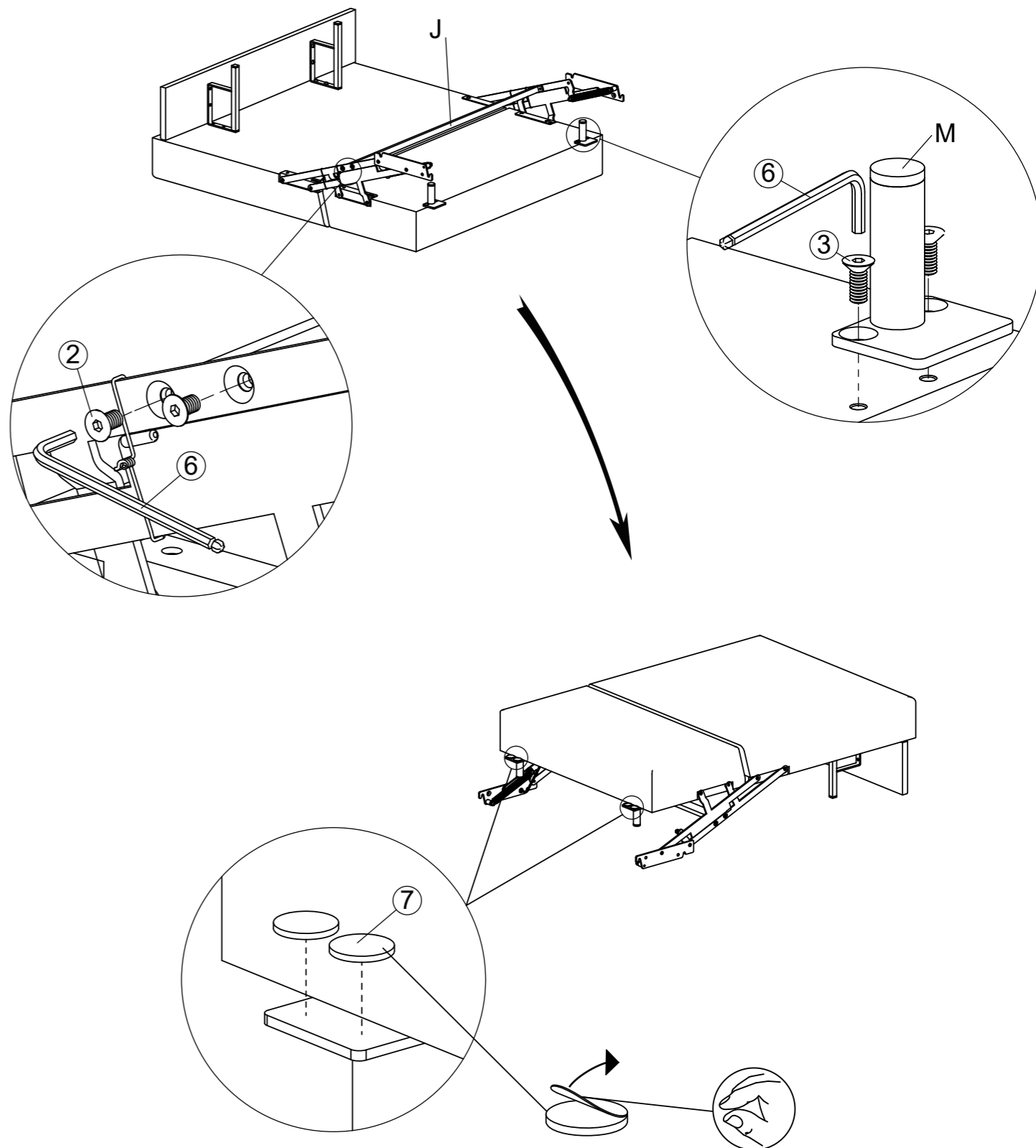


4


② x 4 

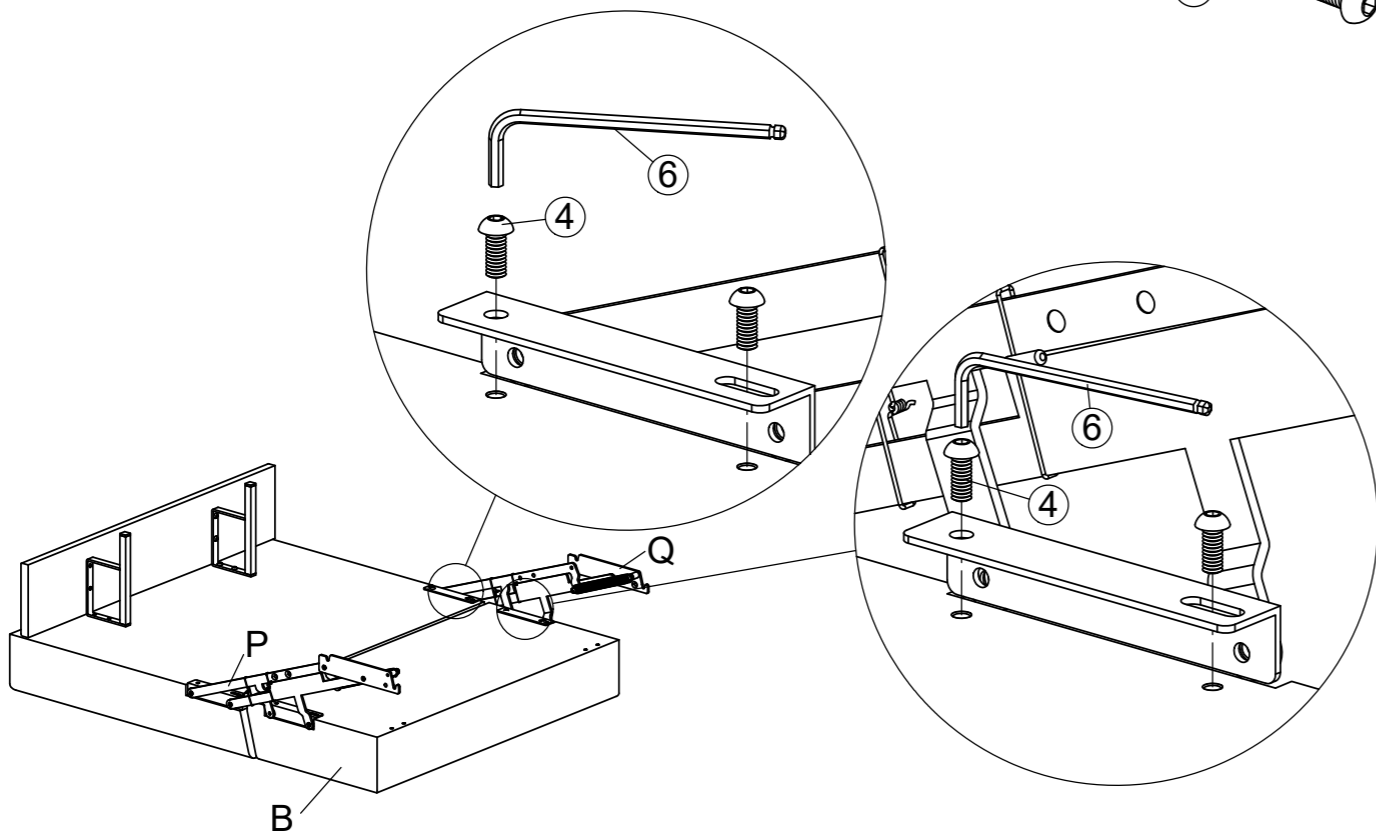
③ x 4 

⑦ x 4 



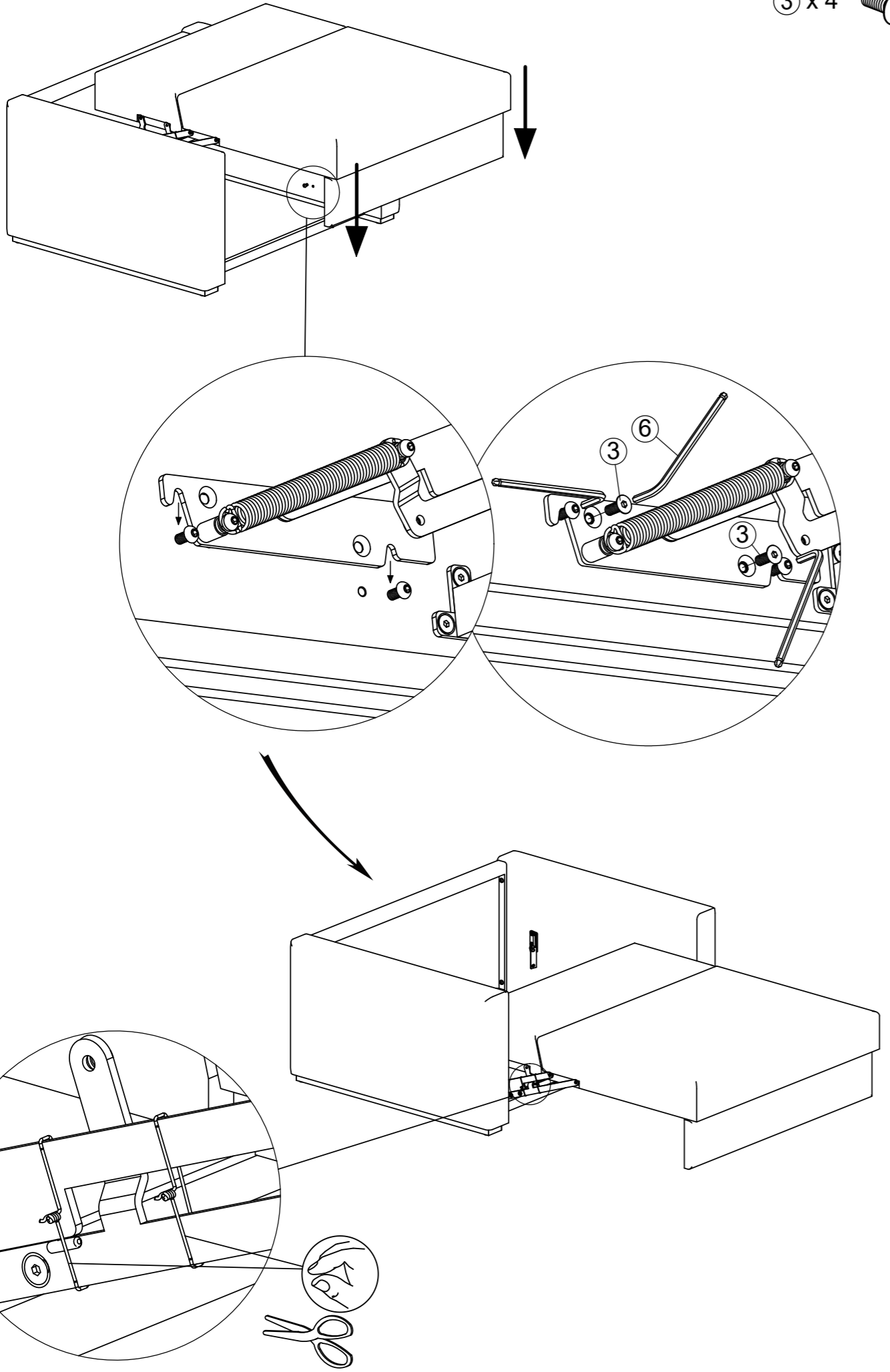
3

④ x 8 




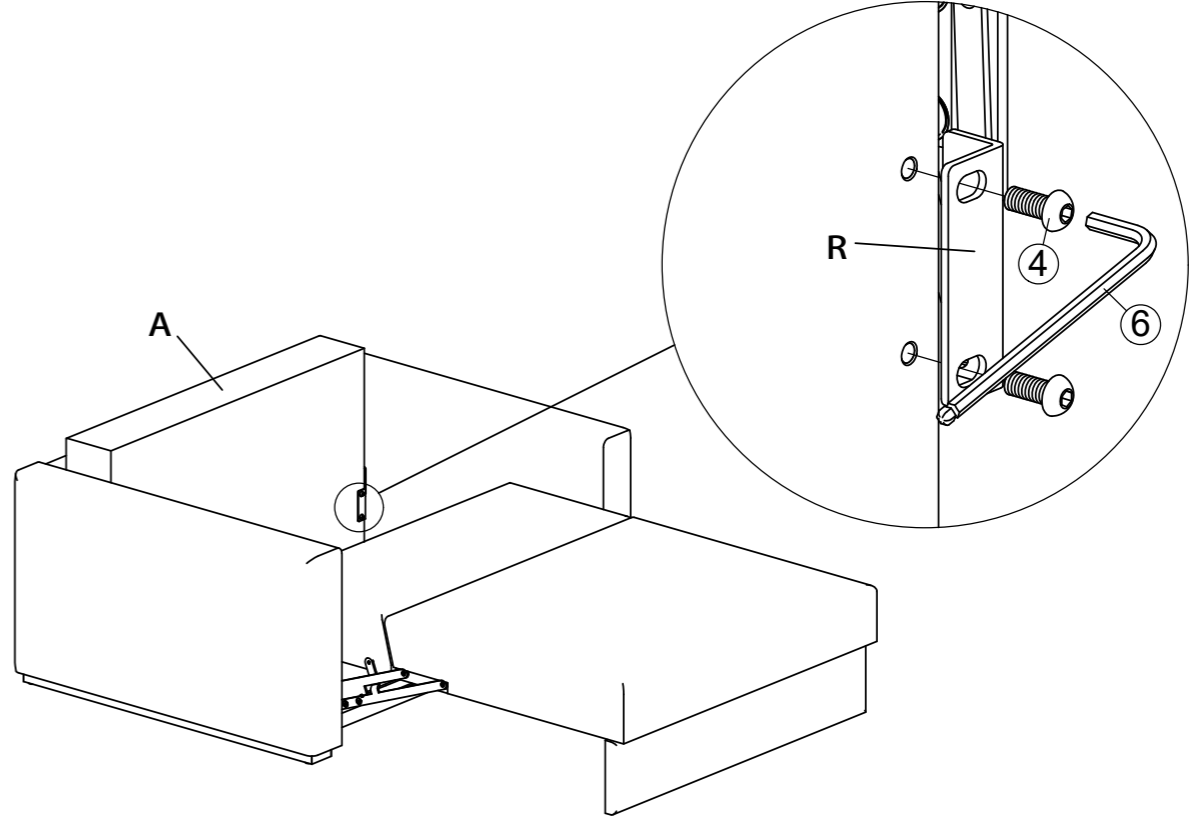
5

③ x 4 



6

④ x 4 



7

