


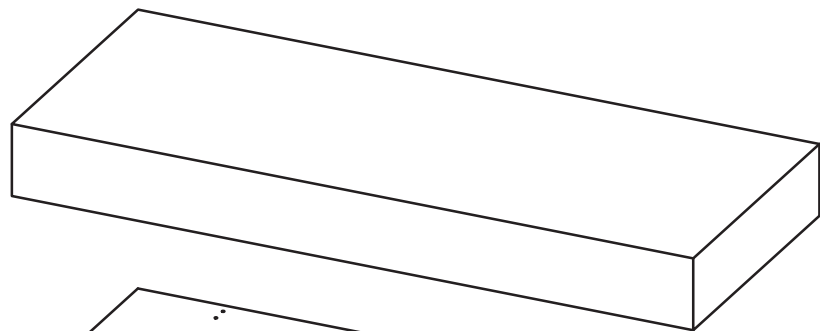
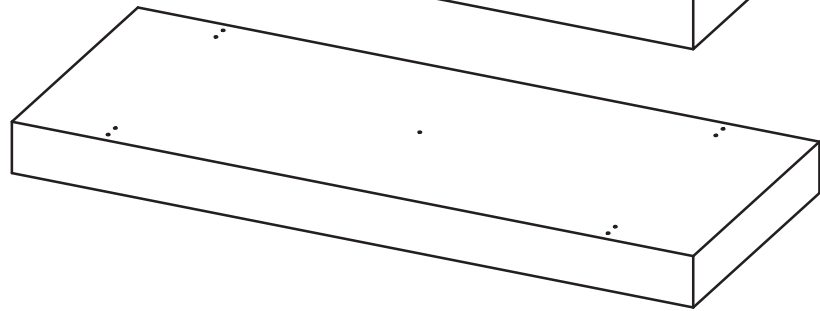




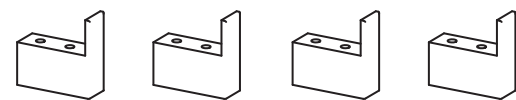
- ① x 8 
- ② x 8 
- ③ x 1 



A x 1



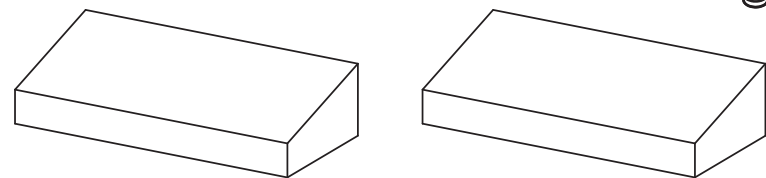
B x 1



C x 4





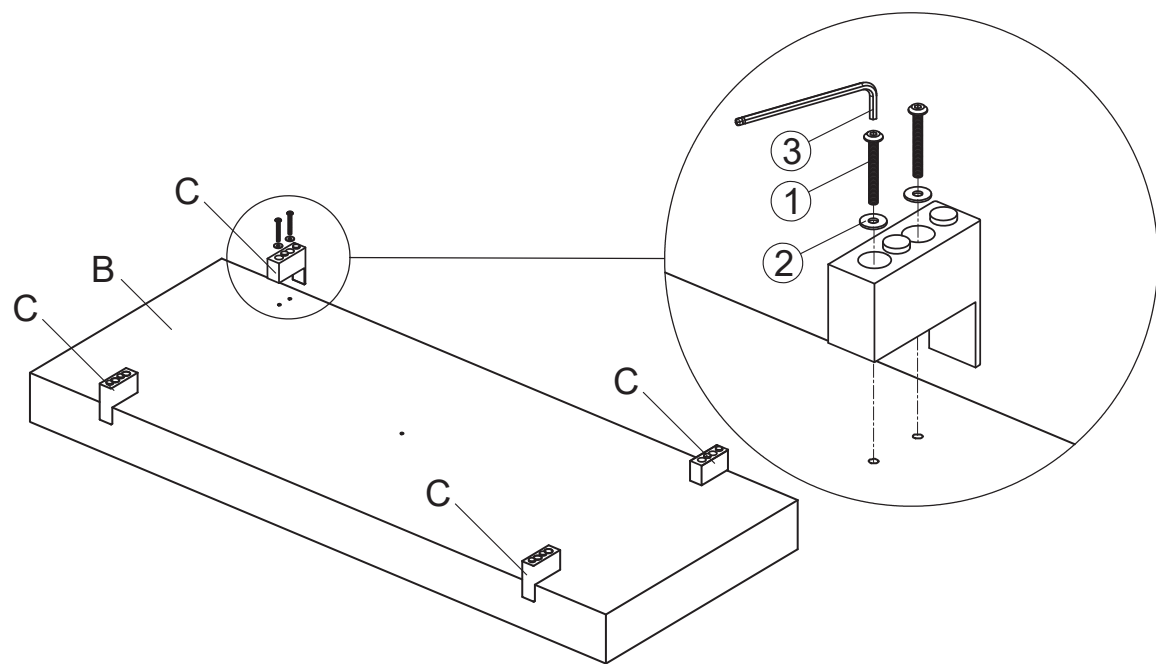
D x 1



E x 2

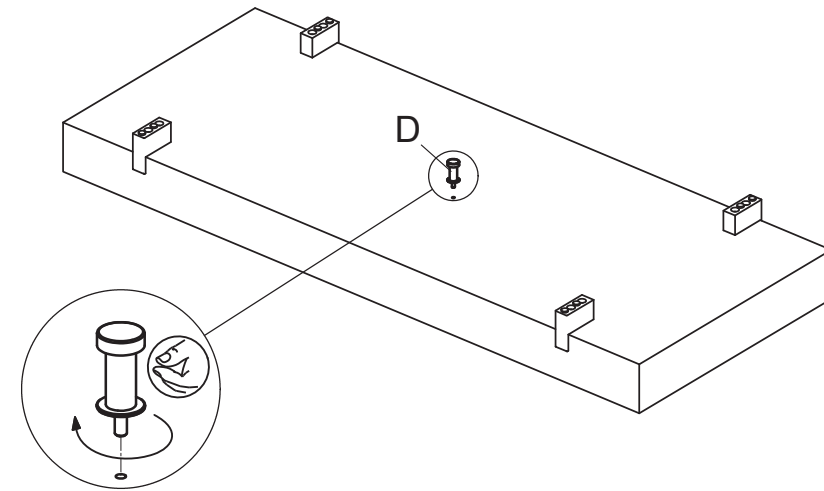
1

- ① x 8 
- ② x 8 



069655

2



3

